

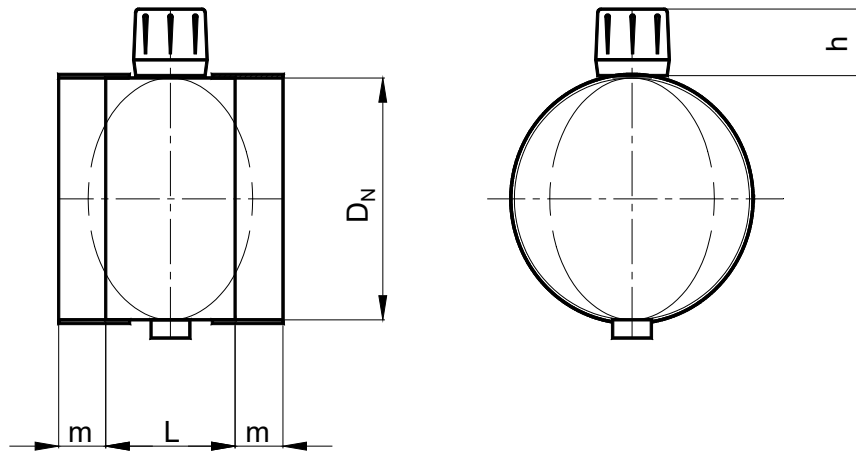
Damper Flap, manually adjustable

Art. No. 53300

Price List 05/2021

prices on application

MIETZSCH



- Operating Conditions:** max. Flow velocity = 10 m / s
 perm. continuous load (permissible pressure difference) with closed flap:
 PVC: 1600 Pa at 30 °C.
 PPS: 1000 Pa at 30 °C.
- Flap Settings:** up to DN = 400 mm in 15 ° - Levels (infinitely variable upon request)
 larger than DN = 400 mm infinitely variable
- Connections:** default both sides with welding socket (with flange upon request)
- Special Design:** Other materials and versions for higher flow velocity or constant load available upon request.

D _N mm	Dimensions			PPs EUR	PE EUR	PP EUR	PVC EUR	PVDF EUR	PPsX EUR
	L mm	m mm	h _{max} mm						
50	40	40	70						
63	40	40	70						
75	40	40	70						
90	40	40	70						
110	40	40	70						
125	40	40	70						
140	40	40	70						
160	40	40	70						
180	40	40	70						
200	40	40	70						
225	40	40	70						
250	40	40	70						
280	40	50	70						
315	40	50	70						
355	40	50	70						
400	40	50	70						
450	450	50	70						
500	500	50	70						
560	560	50	70						
630	630	50	70						
710	710	50	70						
800	800	50	70						

The dimensions are subject to technical changes and are not bound before written confirmation.

Designation Example:

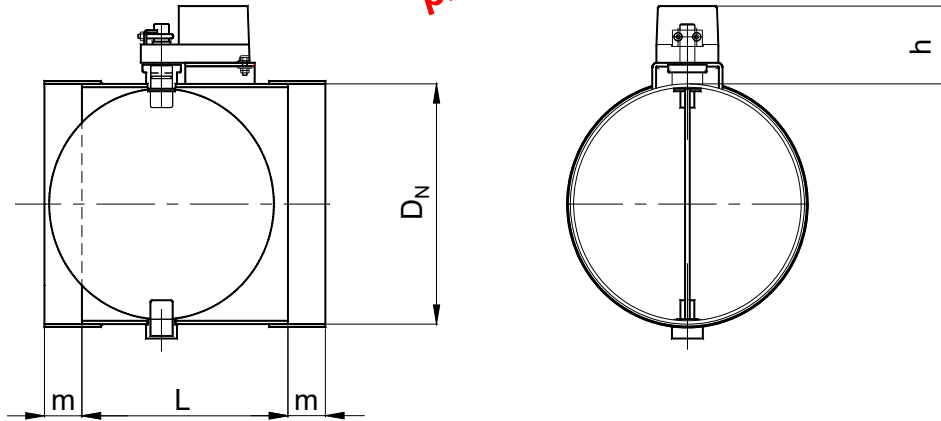
Damper Flaps. manually adjustable D_N 250 PVC

Damper Flap with Actuator

Art. No. 53301

Price List 05/2021

prices on application



- Operating Conditions:** max. Flow velocity = 10 m / s
perm. continuous load (permissible pressure difference) with closed flap:
PVC: 1600 Pa at 30 ° C **PPs:** 1000 Pa at 30 ° C.
- Materials:** either PVC or PPs (materials such as PE or conductive plastics upon request)
- Connections:** default both sides with welding socket (with flange upon request)
- Actuators:** Standard actuators are used in the following models:
adjustable mechanical end limits
Ambient temperature -30 ... + 50 ° C Degree of protection IP 54
- BELIMO-Actuators Runtime 150s, either AC/DC 24V or AC 230V**
AUF/ZU Standard drive for open / close or 3-point control
AUF/ZU-S with integrated auxiliary switch (changeover)
SR continuously adjustable with position feedback DC 2 ... 10 V
- BELIMO-Actuators Runtime 2.5s, 4s or 7s, AC/DC 24V**
AUF/ZU faster drive for open / close or 3-point control
AUF/ZU-S with attachable auxiliary switch (changeover optional)
- Upon request:
JOVENTA-Actuators Runtime 8s or 16s, either AC/DC 24V or AC 230V
AUF/ZU-SA faster drive for open / close or 3-point control
AUF/ZU-SA-S with integrated auxiliary switch (changeover)
- Without Actuator** with console. prepared for various actuators (specify type)
- Special Design:** other actuators. versions for other operating conditions
explosion-proof flaps according to directive EN 2014/34/EU (**ATEX**) upon request

Dimensions				AUF/ZU	AUF/ZU-S	SR		Antrieb	AUF/ZU-SA		without actuator				
D _N mm	PPs / PE / PP			Standard	with aux. switch	constantly controllable			24V	230V	24V	Antrieb	PPs PP/PE	PVC	PVDF
	L mm	m mm	h _{max} mm	24V oder 230V EUR	24V oder 230V EUR	24V EUR	230V EUR	Belimo	24V EUR	Belimo	EUR	EUR	EUR	EUR	
75	250	30	95					LM..A		LMQ..A runtime 2.5s					
90	250	30	95												
110	250	30	95												
125	280	30	95												
140	280	30	95												
160	280	30	95												
180	280	30	95												
200	280	30	95												
225	290	30	95												
250	290	30	95												
280	290	30	95					NM..A		NMQ..A runtime 4s					
315	350	30	95												
355	350	30	95												
400	350	30	95												
450	450	50	95												
500	500	50	95												
560	560	50	95					SM..A		SMQ..A runtime 7s					
630	630	50	110												
710	710	50	110												
800	800	50	110												
										aux. switch S.					

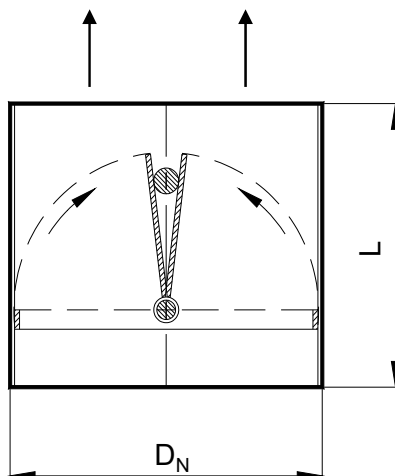
Designation Example: Damper Flap with Actuator AUF/ZU-S 230V D_N 250 PVC

Backdraft Flap, vertical (V)

Art. No. 53310

Price List 05/2021

prices on application



- Operating Conditions:** only for vertical installation (type V)
 max. Flow Velocity = 16 m/s
 max. Operating Temp.: PVC : 50 °C
 PPs : 70 °C
- Connections:** smooth on both sides (GG) or
 both sides with sockets (MM)
- Loss Coefficient:** $\zeta = 0.3$
- Special Design:** other materials available upon request

Dimensions		PPs	PE	PP	PVC	PVDF	PPsX
D _N mm	L mm	EUR	EUR	EUR	EUR	EUR	EUR
75	120						
90	130						
110	140						
125	150						
140	160						
160	160						
180	170						
200	190						
225	200						
250	220						
280	250						
315	270						
355	300						
400	330						
450	360						
500	390						
560	430						
630	450						

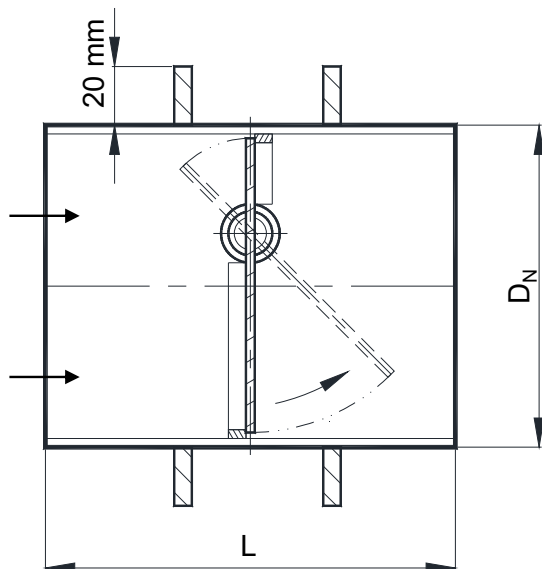
Designation Example: Backdraft Flap V-GG D_N 250 PVC

Backdraft Flap, horizontal (H)

Art. No. 53330

Price List 05/2021

prices on application



- Operating Conditions:** only for horizontal installation (type H)
 max. Flow Velocity = 16 m/s
 max. Operating Temp.: PVC : 50 °C
 PPs : 70 °C
- Connections:** smooth on both sides (GG) or both sides with sockets (MM)
- Loss Coefficient:** $\zeta = 0.3$
- Special Design:** other materials available upon request

Dimensions		PPs	PE	PP	PVC	PVDF	PPsX
D _N mm	L mm	EUR	EUR	EUR	EUR	EUR	EUR
75	120						
90	130						
110	140						
125	150						
140	160						
160	160						
180	170						
200	190						
225	200						
250	220						
280	250						
315	270						
355	300						
400	330						
450	360						
500	390						
560	430						
630	450						

Designation Example:

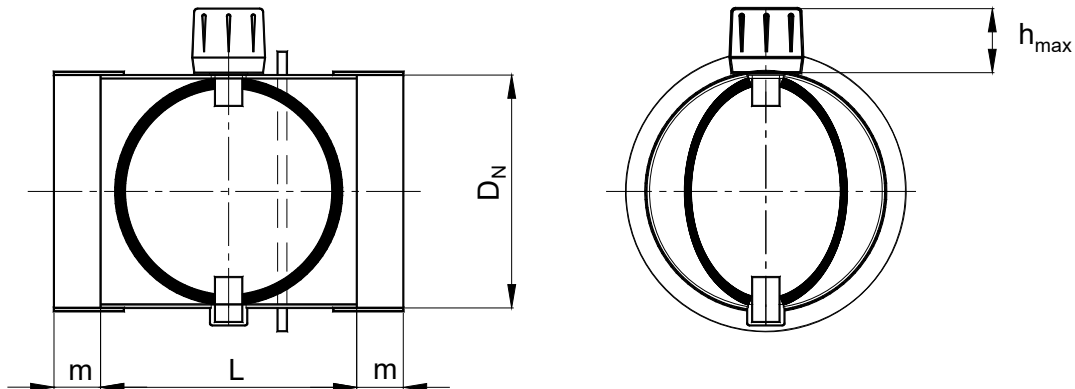
Backdraft Flap H-GG D_N 250 PVC

Butterfly Flap, manually adjustable

Art. No. 53320

Price List 05/2021

prices on application



- Amount of Leakage:** airtight to DIN EN 1751
Leakage flow less than 10 m³/h / m² at 100 Pa pressure difference
- Operating Conditions:** Max. Flow Velocity = 10 m/s
perm. continuous load (permissible pressure difference) with closed flap:
PVC : 1600 Pa at 30 °C
PPs : 1000 Pa at 30 °C
- Flap Settings:** up to D_N=400 mm in 15° - levels (infinitely variable upon request)
larger than D_N=400 mm infinitely variable
- Connections:** default both sides with welding socket (with flange upon request)
- Special Design:** Other materials and versions for higher flow velocity or constant load available upon request.

D _N mm	Dimensions			PPs EUR	PE EUR	PP EUR	PVC EUR	PVDF EUR	PPsX EUR
	L mm	m mm	h _{max} mm						
75	120	30	70						
90	120	30	70						
110	140	30	70						
125	140	30	70						
140	160	30	70						
160	180	30	70						
180	200	30	70						
200	220	30	70						
225	240	30	70						
250	270	30	70						
280	300	30	70						
315	340	30	70						
355	380	30	70						
400	420	30	70						
450	450	50	70						
500	500	50	70						
560	560	50	70						
630	630	50	70						
710	710	50	70						
800	800	50	70						

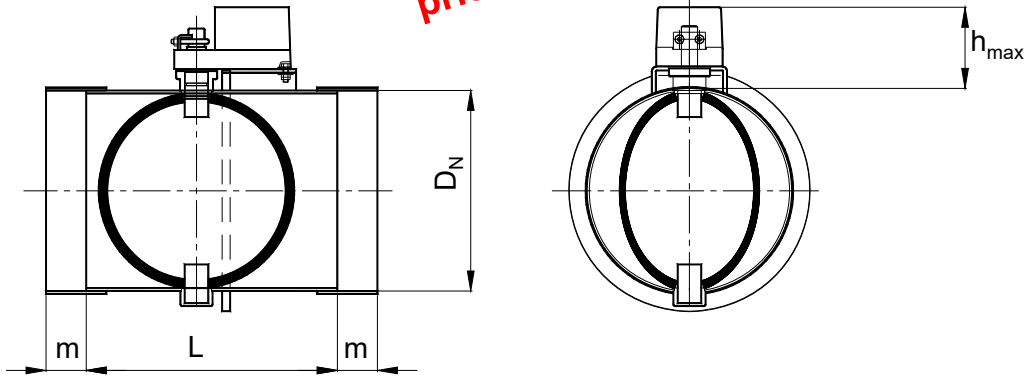
Designation Example: Butterfly Flap, manually adjustable D_N 250 PVC

Butterfly Flap with Actuator

Art. No. 53321

Price List 05/2021

prices on application



- Amount of Leakage:** airtight to DIN EN 1751
Leakage flow less than 10 m³/h / m² at 100 Pa pressure difference
- Operating Conditions:** Max. Flow Velocity= 10 m/s
perm. continuous load (permissible pressure difference) with closed flap:
PVC : 1600 Pa at 30 °C **PPs** : 1000 Pa at 30 °C
- Materials:** either PVC or PPs (Materials such as PE or conductive plastics upon request)
- Connections:** default both sides with welding socket (with flange on request)
- Actuators:** Standard actuators are used in the following models:
adjustable mechanical end limits
Ambient temperature -30 ... + 50 ° C Degree of protection IP 54
- BELIMO-Actuators Runtime 150s, either AC/DC 24V or AC 230V**
AUF/ZU Standard drive for open / close or 3-point control
AUF/ZU-S with integrated auxiliary switch (changeover)
SR continuously adjustable with position feedback DC 2 ... 10 V
- BELIMO-Actuators Runtime 2.5s, 4s or 7s, AC/DC 24V**
AUF/ZU faster drive for open / close or 3-point control
AUF/ZU-S with attachable auxiliary switch (changeover optional)
- Upon request:
JOVENTA-Actuators Runtime 8s or 16s, either AC/DC 24V or AC 230V
AUF/ZU-SA faster drive for open / close or 3-point control
AUF/ZU-SA-S with integrated auxiliary switch (changeover)

Without Actuator with console. prepared for various actuators (specify type)

Special Design: other actuators. versions for other operating conditions
explosion-proof flaps according to directive EN 2014/34/EU (ATEX) upon request

Dimensions				AUF/ZU	AUF/ZU-S	SR		Antrieb	AUF/ZU		Without actuator			
D _N mm	PPs / PE / PP			Standard	with auxiliary switch	constantly controllable			high-speed		(with console)			
	L mm	m mm	h _{max} mm	24V oder 230V EUR	24V oder 230V EUR	24V EUR	230V EUR	24V	Antrieb	PPs PP/PE	PVC	PVDF	PPsX	
								EUR	Belimo	EUR	EUR	EUR	EUR	
75	250	30	95							389.30				
90	250	30	95							394.50				
110	250	30	95							399.90				
125	280	30	95							402.40				
140	280	30	95							404.70				
160	280	30	95							425.40				
180	280	30	95							431.70				
200	280	30	95							487.30				
225	290	30	95							500.50				
250	290	30	95							507.40				
280	290	30	95							556.30				
315	350	30	95							605.50				
355	350	30	95							628.10				
400	350	30	95							652.50				
450	450	50	95							809.30				
500	500	50	95											
560	560	50	95											
630	630	50	110											
710	710	50	110											
800	800	50	110											
									aux. switch					
									S:					

Designation Example: Butterfly Flap with Actuator AUF/ZU-S 230V D_N 250 PVC